

ARCTIKO PR 700

true cooling specialists



OFFERS A GREAT OVERVIEW OF THE STORED ITEMS DUE TO THE DOUBLE PANE GLASS DOOR.

Designed to meet the demands of the pharmaceutical & biotechnology industries providing reliability, accuracy and sample security.

► SPARK FREE INTERIOR

Arctiko's PR range can be made in an ATEX version - approved according to EN 60079-15 category 3, zone 2. CE EX 11-/3 G.

► FLEXIBLE STORAGE SOLUTIONS

Arctiko's PR range is a highly customizable allowing you to choose between a wide range of universal shelves and drawers.

This allows the user to organize their unit exactly as desired. Our universal shePR and drawer guides allow you to mix shelves and drawers for flexible storage.

► GREAT COOLING PERFORMANCE

Forced air cooling provides superior temperature uniformity and stability.

Forcing the airflow around the shelves and the stored items, ensures that all parts of the unit is equally cold and avoids any cold or hot spots.

Distributed by a powerful fan and open air flow areas along the sides, the air is always distributed evenly throughout the fully loaded unit.



FORCED AIR COOLING



FILTERLESS CONSTRUCTION



FLEXIBLE SHELVES

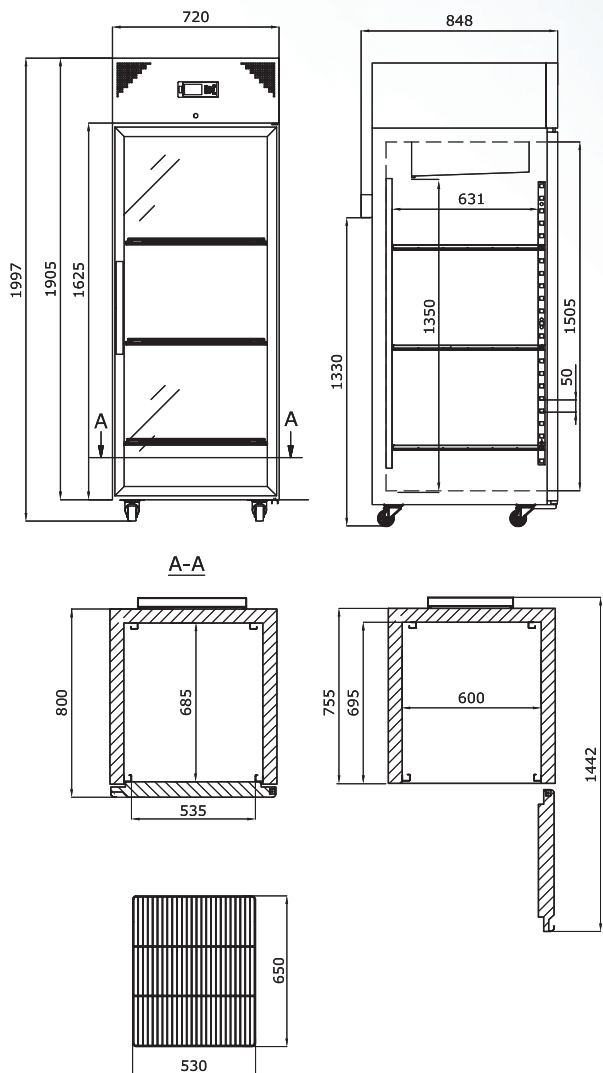


AVAILABLE IN ATEX

PR 700* ▲

The ARCTIKO PR 700 model supports following optional features:

- Modbus adapter for G214 controller
- Temperature chart recorder
- GSM alarm module
- Voltage converter
- Voltage stabilizer
- Stainless steel drawers
- Shelves (perforated, wire plastic coated, wire stainless steel)
- Stacking kit
- LED Light



MODEL	PR 700
Main specifications	
Item code	DAI 0860
Temperature range (°C)	+1 / +10
Max. ambient temperature (°C)	32
Capacity (L)	628
Exterior dimensions WxDxH (mm)	720x860x1997
Interior dimensions WxDxH (mm)	600x695x1505
Weight (kg)	138
Insulation (mm)	60
Cooling technology	forced air
Controller Model / probe type	G214 / PT1000
Power	
Power supply (V)	230*
Frequency (Hz)	50/60
Power consumption (kWh/24h)	4.1
AMP (A)	1.9
Power (Watt)	318
Horse power (HP)	1/3
Alarm functions	
Alarm display as text - not codes	yes
Visual / acoustic alarm	yes / yes
Power failure alarm	yes
Adjustable high / low temperature alarm	yes / yes
Open door alarm	yes
Probe failure alarm	yes
Low battery alarm	yes
Compressor failure alarm	no
Battery backup for alarms (approx. hrs.)	72
Data logging & external connection	
Voltage free contact for remote alarm (e.g. GSM alarm module)	yes
Electronic data logger	yes
RS 485 port	yes
USB port for software update & data download	yes
Temperature chart recorder	optional
Display features	
Display type	4,3" with touch buttons
Number of optional reference probes	2
Password protection for turning unit on / off	yes
Temperature graph on display	yes
Other features	
Automatic defrost	yes
Antifreeze function	no
Vacuum release port	no
Access port for external probe etc. (Int. diameter mm)	12
Light	yes
Lock with key	yes
Castors (total pcs) / castors with brake (pcs)	4 / 2
Fixed feet (pcs) / levelling feet (pcs)	no
Sub lids / inner doors (pcs)	no
Reversible door(s)	yes
Fixed shelves (pcs) / adjustable shelves (pcs)	0 / 3
Max. no. of shelves (pcs) / recommended max. no. of shelves (pcs)	23 / 11
Max. load per shelf (kg)	30
Adjustable drawers (pcs)	optional
Max. no. of adjustable drawers (pcs)	8
Max. load per adjustable drawer (kg)	30
Refrigeration & cabinet	
Number of compressors	1
Refrigerant	R290
Interior cabinet material	stainless steel
Exterior cabinet material	painting steel
Colour (exterior cabinet)	white
Foam type	polyurethane
VIP vacuum insulated panels	no
Shipping	
Shipping weight (Kg)	203
Shipping dimensions WxDxH (cm)	102x84x220
Shipping volume (m³)	1.88

*110V/60Hz available as option

