

ARCTIKO LR 300

true cooling specialists



HIGH LEVEL OF SECURITY FOR YOUR SAMPLES, DUE TO THE GREAT COOLING PERFORMANCE WITH AIR FORCED COOLING.

Automatic defrost saves you time to focus on what's most important and stores the samples safely.

► ATEX

This unit can be made in an ATEX version – approved according to EN 60079-15 category 3, zone 2. CE EX 11/-3 G.

► FLEXIBLE STORAGE SOLUTIONS

Arctiko's LR range is a highly customizable allowing you to choose between a wide range of universal shelves and drawers.

This allows the user to organize their unit exactly as desired. Our universal shelLR and drawer guides allow you to mix shelves and drawers for flexible storage.

► GREAT COOLING PERFORMANCE

Air forced cooling provides superior temperature uniformity and stability.

Forcing the airflow around the shelves and the stored items, ensures that all parts of the unit is equally cold and avoids any cold or hot spots.

Distributed by a powerful fan and open air flow areas along the sides, the air is always distributed evenly throughout the fully loaded unit.



LR 300*



FORCED AIR COOLING



AVAILABLE IN ATEX



FILTERLESS CONSTRUCTION

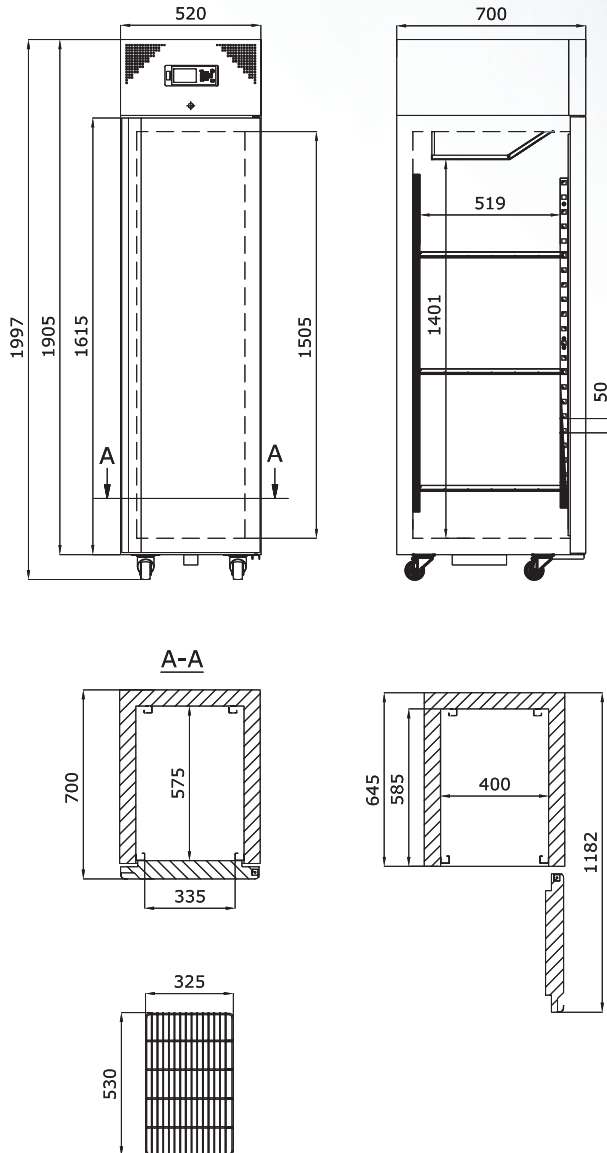


FLEXIBLE SHELVES

* The pictures shown are for reference only, actual product size may vary. Please read the dimensions of the product in the specifications.

The ARCTIKO LR 300 model supports following optional features:

- Modbus adapter for G214 controller
- Temperature chart recorder
- GSM alarm module
- Voltage converter
- Voltage stabilizer
- Stainless steel drawers
- Perforated shelf stainless steel
- Wire shelf
- LED Light



MODEL	LR 300	
Main specifications	Item code	DAI 0220
	Temperature range (°C)	+1 / +10
	Max. ambient temperature (°C)	43
	Capacity (L)	346
	Exterior dimensions WxDxH (mm)	520x700x1997
	Interior dimensions WxDxH (mm)	400x575x1505
	Weight (kg)	98
	Insulation (mm)	60
	Cooling technology	forced air
	Controller Model / probe type	G214 / PT1000
Power	Power supply (V)	230*
	Frequency (Hz)	50/60
	Power consumption (kWh/24h)	2.3
	AMP (A)	1.4
	Power (Watt)	199
	Horse power (HP)	1/8
Alarm functions	Alarm display as text - not codes	yes
	Visual / acoustic alarm	yes / yes
	Power failure alarm	yes
	Adjustable high / low temperature alarm	yes / yes
	Open door alarm	yes
	Probe failure alarm	yes
	Low battery alarm	yes
	Compressor failure alarm	yes
	Battery backup for alarms (approx. hrs.)	72
Data logging & external connection	Voltage free contact for remote alarm (e.g. GSM alarm module)	yes
	Electronic data logger	yes
	RS 485 port	yes
	USB port for software update & data download	yes
Display features	Temperature chart recorder	optional
	Display type	4,3" with touch buttons
	Number of optional reference probes	2
	Password protection for turning unit on / off	yes
Other features	Temperature graph on display	yes
	Automatic defrost	yes
	Antifreeze function	no
	Vacuum release port	no
	Access port for external probe etc. (Int. diameter mm)	12
	Light	no
	Lock with key	yes
	Castors (total pcs) / castors with brake (pcs)	4 / 2
	Fixed feet (pcs) / levelling feet (pcs)	no
	Sub lids / inner doors (pcs)	no
	Reversible door(s)	yes
	Fixed shelves (pcs) / adjustable shelves (pcs)	0 / 3
	Max. no. of shelves (pcs) / recommended max. no. of shelves (pcs)	23 / 11
Max. load per shelf (kg)	30	
Adjustable drawers (pcs)	optional	
Max. no. of adjustable drawers (pcs)	8	
Max. load per adjustable drawer (kg)	30	
Refrigeration & cabinet	Number of compressors	1
	Refrigerant	R290
	Interior cabinet material	stainless steel
	Exterior cabinet material	painted steel
	Colour (exterior cabinet)	white
	Foam type	polyurethane
Shipping	VIP vacuum insulated panels	no
	Shipping weight (kg)	143
	Shipping dimensions WxDxH (cm)	83x67x220
Shipping volume (m³)	1,22	

*110V/60Hz available as option

